

CQ92M

- Polyester film/foil capacitor
- According to IEC 60384-11

RoHS
Compliant

TYPICAL APPLICATIONS

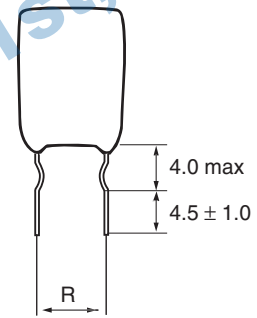
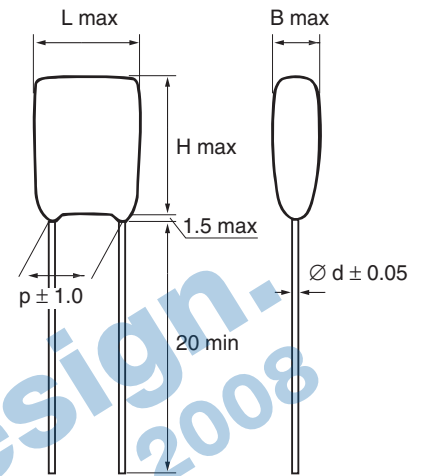
Coupling and decoupling.

CONSTRUCTION

Capacitor with polyester film and metal foil electrodes. Radial leads of tinned wire are electrically welded to the electrodes. Coated with epoxy resin.

TECHNICAL DATA

Rated voltage U_R , VDC	50	100
Rated voltage U_R , VAC	30	63
Capacitance, μF	0.001 -0.47	0.001 -0.47
Capacitance tolerance	$\pm 10\%$, $\pm 5\%$	
Temperature range	-40 ... +85°C	
Climatic category	IEC 60068-1, 40/085/21 DIN 40040, GPD	
Test voltage	2.5 x U_R VDC for 2s	
Dissipation factor, $\tan\delta$	at +20°C: $\tan\delta \leq 0.8\%$ at 1 kHz.	
Insulation resistance	Measured at +20°C, according to IEC 60384-11. Minimum values between terminals: 30 000 M Ω C \leq 0.33 μF 10 000 M Ω C > 0.33 μF	



Lead diameter

d = 0.5 mm for C \leq 0.12 μF and
d = 0.6 mm for C > 0.12 μF

ENVIRONMENTAL TEST DATA

Damp heat test	Test conditions:	T = +40°C, RH = 93%, t = 21 days.
	Test criteria:	$\Delta C/C \leq 5\%$, $\tan\delta$ after test $\leq 1.0\%$ (1kHz) IR after test 9000 M Ω .
Endurance test	Test conditions:	T = +85°C, U = 1.4 x U_R , t = 1000 h.
	Test criteria:	$\Delta C/C \leq 5\%$, $\tan\delta \leq 1.0\%$ (1kHz) IR after test 5000 M Ω .

MARKING

- Capacitance
- Tolerance
- Rated voltage

ORDERING INFORMATION

See article table and pages 11 to 15 for options and article code construction.

ARTICLE TABLE

Capacitance μF	Max dimensions in mm					Quantity per package		Article code
	B	H	L	p	R	Bulk	Ammo	
50 VDC/30 VAC & 100VDC/63 VAC								
0.0010	3.0	11.0	5.6	3.5	5.0	1000	2000	CQ92M 102K100 TA16
0.0015	3.0	11.0	5.6	3.5	5.0	1000	2000	CQ92M 152K100 TA16
0.0022	3.0	11.0	5.6	3.5	5.0	1000	2000	CQ92M 222K100 TA16
0.0033	3.0	11.0	5.6	3.5	5.0	1000	2000	CQ92M 332K100 TA16
0.0047	3.0	11.0	5.6	3.5	5.0	1000	2000	CQ92M 472K100 TA16
0.0068	3.5	12.0	6.0	3.5	5.0	1000	2000	CQ92M 682K100 TA16
0.010	3.5	12.0	6.5	3.5	5.0	1000	2000	CQ92M 103K100 TA16
0.015	3.5	13.0	6.5	4.0	5.0	1000	2000	CQ92M 153K100 TA16
0.022	4.0	13.0	7.0	5.0	5.0	1000	2000	CQ92M 223K100 TA16
0.033	4.5	13.5	8.0	5.0	5.0	1000	2000	CQ92M 333K100 TA16
0.047	4.5	14.0	9.0	5.0	5.0	1000	1000	CQ92M 473K100 TA16
0.068	5.0	14.0	10.0	7.5	5.0	500	1000	CQ92M 683K100 TA16
0.10	6.0	14.0	11.0	7.5	5.0	500	1000	CQ92M 104K100 TA16
0.15	7.0	17.0	12.0	7.5	5.0	500		CQ92M 154K100
0.22	8.0	18.0	13.5	10.0	5.0	500		CQ92M 224K100
0.33	8.5	21.0	15.0	10.0	7.5	500		CQ92M 334K100
0.47	10.0	21.0	18.0	10.0	7.5	500		CQ92M 474K100